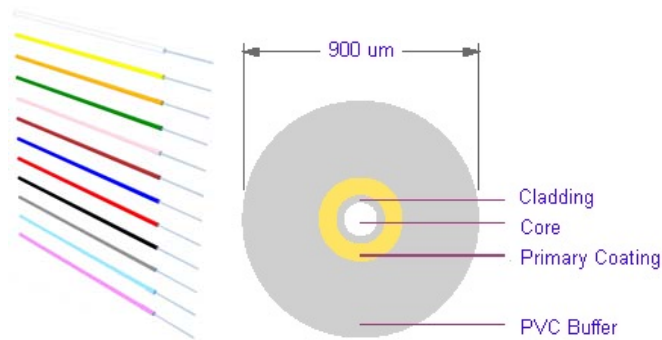


900 $\mu$ mバッファ光ファイバ  
0.9mm Buffered Fiber - FR-PVC



Buffering Material	Flame-Retardant & RoHS PVC
Operating Temperature	-20 °C ~ +70 °C
Storage Temperature	-20 °C ~ +70 °C

Optical Transimission Performance

Fiber Type	Max. Attenuation, dB/km
Single-Mode (1310/1550 nm)	0.5 / 0.4
50/125 $\mu$ m (850/1300 nm)	3.0 / 1.0
62.5/125 $\mu$ m (850/1300 nm)	3.0 / 1.0

Fiber Type	Part number	Minimum Bandwidth, MHz · km
Single-Mode (SMF-28)	F909CXX	Not Applicable
Single-Mode (SMF-28e)	FE09CXX	Not Applicable
50/125 $\mu$ m (850/1300 nm)	F509CXX	500 / 500
62.5/125 $\mu$ m (850/1300 nm)	F609CXX	160 / 500

Mechanical Properties

Nominal Outer Diameter, mm	Nominal Weight, kg/km	Maximum Tensile Load		Minimum Bend Radius	
		Loaded, N	Unloaded, N	Load, cm	Unload, cm
0.9	0.9	6.0	3.0	5.0	3.0

\* 特注ケーブルの製作も可能です。詳細は、お手数ですがお問い合わせフォームにお願いします。

Contact your OSTenp representative for information on specifications and availability.