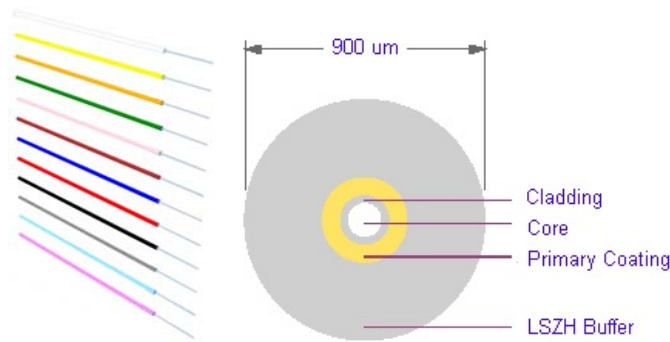


900μmバッファ光ファイバ
0.9mm Buffered Fiber - LSZH



Buffering Materials	Low Smoke Zero Halogen (LSZH)
Operating Temperature	-20 °C ~ +70 °C
Storage Temperature	-20 °C ~ +70 °C

Optical Transimission Performance

Fiber Type	Max. Attenuation, dB/km
Single-Mode (1310/1550 nm)	0.5 / 0.4
50/125 μm (850/1300 nm)	3.0 / 1.0
62.5/125 μm (850/1300 nm)	3.0 / 1.0

Fiber Type	Minimum Bandwidth, MHz · km
Single-Mode	Not Applicable
50/125 μm (850/1300 nm)	500 / 500
62.5/125 μm (850/1300 nm)	160 / 500
OM3 50/125 μm (850/1300 nm)	750 / 500

Mechanical Properties

Nominal Outer Diameter, mm	Nominal Weight, kg/km	Maximum Tensile Load		Minimum Bend Radius	
		Loaded, N	Unloaded, N	Load, cm	Unload, cm
0.9	0.9	6.0	3.0	5.0	3.0

* 特注ケーブルの製作も可能です。詳細は、お手数ですがお問い合わせフォームをお願いします。

Contact your OSTenp representative for information on specifications and availability.